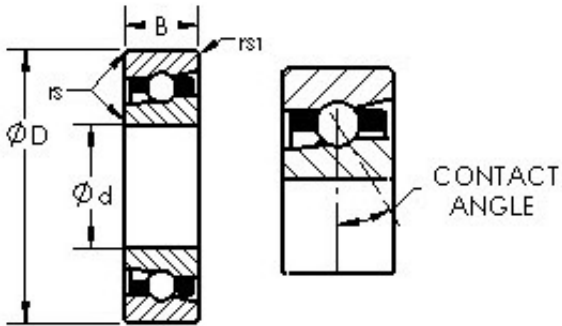




# NTN Kugellagerfabrik (Deutschland) G....



## AST H7014C/HQ1 angular contact ball bearings

Bearing No. H7014C/HQ1

Size	70x110x20 mm
Bore Diameter	70 mm
Outer Diameter	110 mm
Width	20 mm
Bearing Type	15 deg contact, high speed
Bore Dia (d)	70.0000
Outer Dia (D)	110.0000
Width (B)	20.0000
Radius (min) (rs)	1.100
Dynamic Load Rating (Cr)	24,100
Static Load Rating (Cor)	21,400
Max Speed (Grease) (X1000 RPM)	18
Max Speed (Oil) (X1000 RPM)	30
Radius (min) (rs1)	0.600
Material	52100 Chrome steel (or equivalent)

H7014C/HQ1 Bearing 2D drawings and 3D CAD models